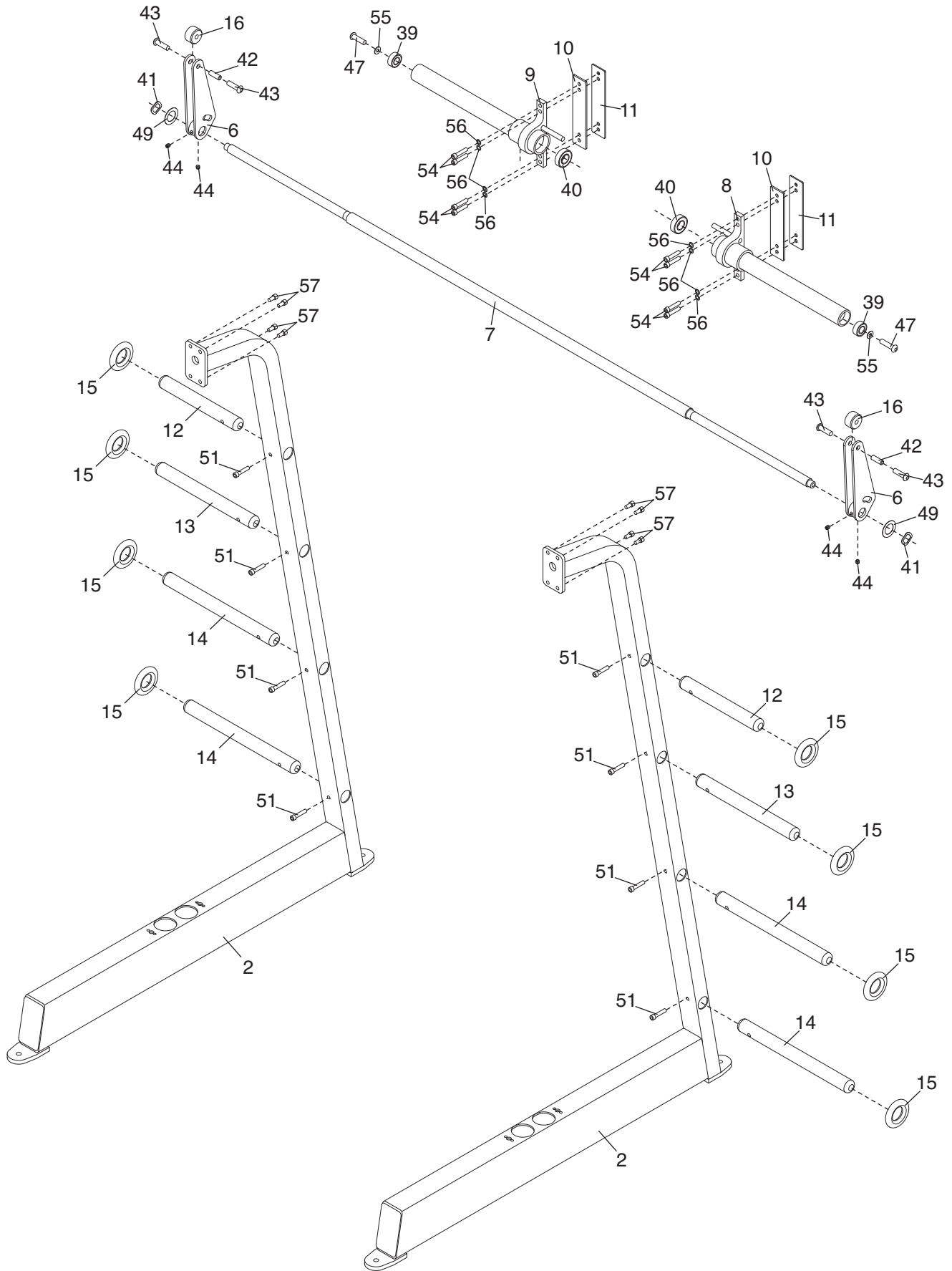


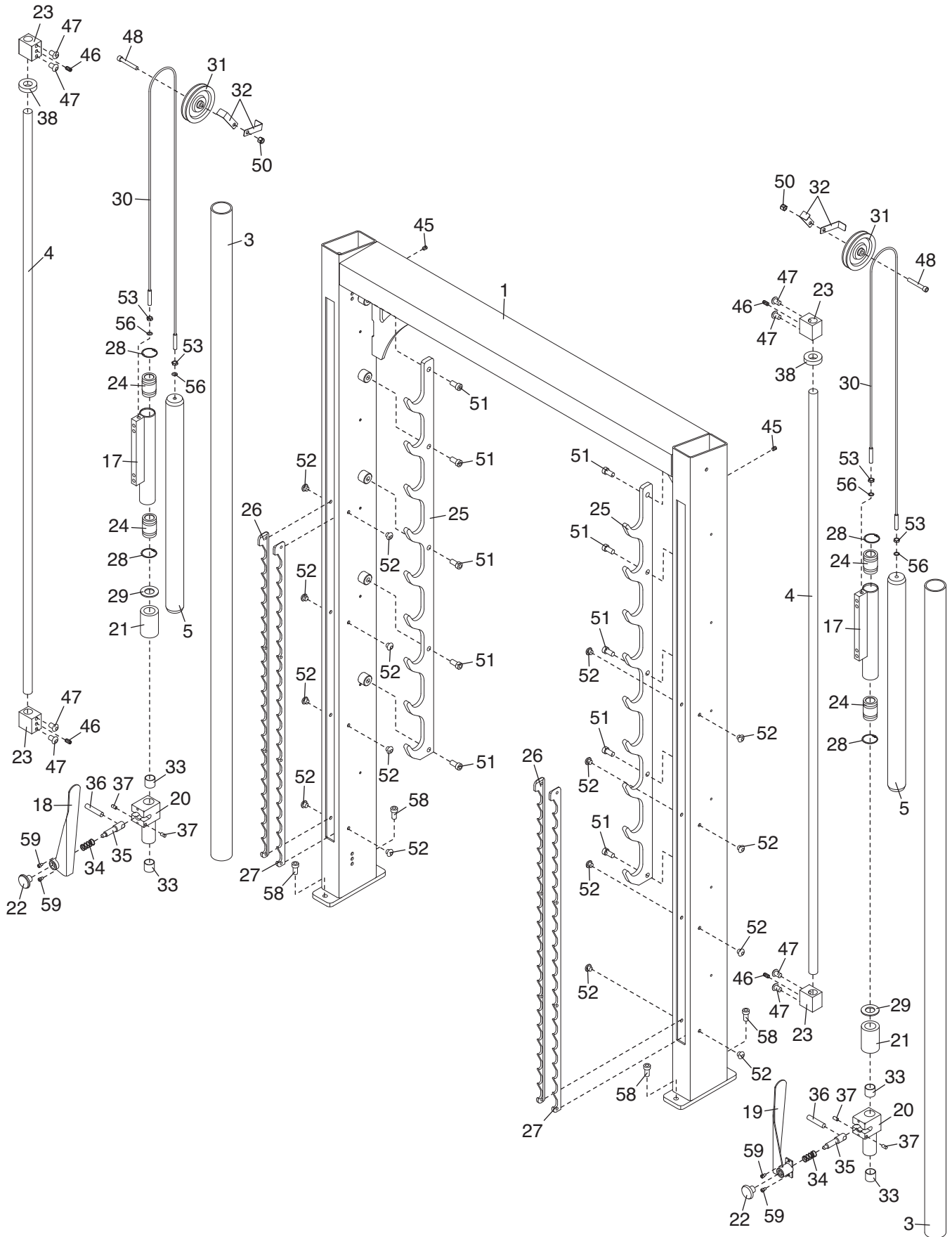
# EXPLODED DRAWING A—Model No. GZFW2114.1

R0106A



# EXPLODED DRAWING B—Model No. GZFW2114.1

R0106A



Bubble#	OEM Number	Description
1	GZ4363	FRAME
2	GZ4368	BASE
5	GZ1640	COUNTER WEIGHT
6	GZ2325	BARBELL LATCH
7	GZ2324	BARBELL
10	GZ30574	BARBELL BRACKET PLATE
11	GZ30575	NYLON BRACKET PLATE
15	GZ1191	WEIGHT STORAGE BUMPER
16	GZ1639	LATCH ROLLER
17	GZ4369	BARBELL GUIDE
18	GZ30573	RIGHT STOP INDICATOR
19	GZ30569	LEFT STOP INDICATOR
20	GZ30568	SPOTTER GUIDE
22	GZ1503	SPOTTER KNOB
23	GZ1641	GUIDE ROD BRACKET
24	GZ1650	BARBELL GUIDE BEARING
25	GZ2326	BARBELL RACK
28	GZ1280	1 9/16" RETAINER RING
29	GZ1431	1" WASHER
30	GZ5020-30	CABLE
31	GZ1003-01	PULLEY
32	GZ3102	CABLE GUARD
34	285751	SPRING
35	GZ1646	SPOTTER PIN
39	GZ1649	3/4" BEARING
40	GZ1011-01	1" BEARING
41	GZ1049	WAVE WASHER
43	GZ1012-07	3/8" X 1/2" BUTTON SCREW
44	GZ1653-1	3/8" X 3/8" SET SCREW
46	GZ1653-2	3/8" X 3/4" SET SCREW
47	GZ1012-01	3/8" X 3/4" BUTTON SCREW
48	GZ1013-05	3/8" X 2.5" SOCKET BOLT
49	GZ1050	1" THIN WASHER
50	GZ1007	3/8" NYLON LOCKNUT
51	GZ1009-01	1/2" X 1" SOCKET SCREW
52	GZ1654	3/8" X 3/8" BUTTON SCREW
53	GZ1083	3/8" FINE THREADED NUT
54	GZ1013-02	3/8" X 1.75" SOCKET SCREW
55	GZ1074	5/16" WASHER
56	GZ1069	SERRATED WASHER
57	GZ1013-20	3/8" X 3/4" SOCKET SCREW
58	GZ1009-03	1/2" X 1.25" SOCKET SCREW
59	GZ1013-14	1/4" X 3/8" SOCKET SCREW
#	GZ7005	MOVING PART CAUTION DECAL
#	221214	LOAD LIMIT CAUTION DECAL
#	221215	WT CLAMPS CAUTION DECAL

#

GZ7356

USER'S MANUAL